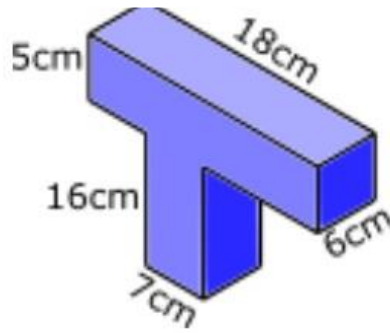


Find the surface area of this shape in square centimetres:



The total surface area is made up of the following:

$$\text{Front: } 5 \times 18 + 16 \times 7 = 202$$

$$\text{Back (same as front)} = 202$$

$$\text{Right facing: } 5 \times 6 + 16 \times 6 = 126$$

$$\text{Left facing (same as right facing)} = 126$$

$$\text{Top: } 6 \times 18 = 108$$

The sum of the areas of the three downward facing rectangles is the same as the top = 108

$$\text{Total: } 2(202 + 126 + 108) = 872 \text{ cm}^2$$